

Street Connect 2-Port Antenna Frequency Range Dual Polarization HPBW

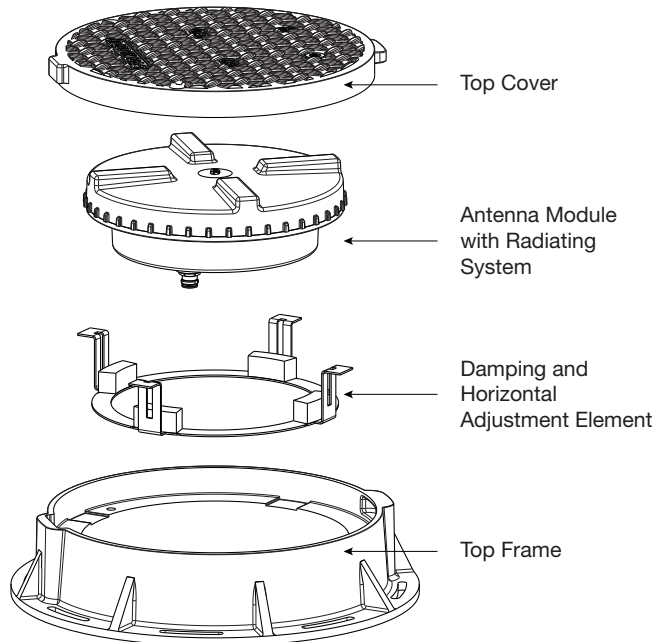
Y1
1695–2690
W
360°

2-Port Street Connect Antenna 1695–2690 360° 6dBi

Type No.		80010235				
Use Case		In-Ground Installation, High traffic urban areas				
High band		Y1, connector 1–2				
		1695–2690				
Frequency Range	MHz	1695 – 1880	1850 – 1990	1920 – 2200	2300 – 2490	2490 – 2690
Max. Gain (Free Space)	dBi	7.3	7.4	7.3	5.7	7.1
Horizontal Pattern		Quasi Omni Max. Deviation from Circularity ±6 dB	Quasi Omni Max. Deviation from Circularity ±6 dB	Quasi Omni Max. Deviation from Circularity ±5 dB	Quasi Omni Max. Deviation from Circularity ±5 dB	Quasi Omni Max. Deviation from Circularity ±6 dB
Vertical Pattern		Four main lobes above ground level	Four main lobes above ground level	Six main lobes above ground level	Four main lobes above ground level	Four main lobes above ground level
Isolation (Port 1 // Port 2)	dB	1695 – 2300 MHz: > 20 2300 – 2690 MHz: > 25				
Max. Effective Power per Port	W	20 (at 50 °C ambient temperature)				

Electrical specifications, all systems		
Impedance	Ω	50
VSWR		< 1.7
Return Loss	dB	> 11.7
Passive Intermodulation	dBc	< -153 (2 x 43 dBm carrier)
Polarization		Dual Vertical
Max. Effective Power for the Antenna	W	40 (at 50 °C ambient temperature)

Mechanical specifications		
Input	2 x 4.3-10 female	
Connector Position	Bottom	
Adjustment Mechanism Horizontal	Set by hand, 9° steps	
Feeder Cables	Push Pull type connector	
Top Cover Diameter / Height	mm inches	375 / 32 14.8 / 1.3
Top Frame Outer / Inner Diameter / Height	mm inches	480 / 315 / 100 18.9 / 12.4 / 3.9
Antenna Modul Diameter / Height	mm inches	310 / 136 12.2 / 5.4
Weight Antenna Module	kg lb	3.2 7.1
Weight Complete System	kg lb	13.6 30.0
IP Protection Class	IP 68 (with appropriate feeder cable connector)	
Max. Load Top Cover	kN	50 (without permanent deformation, according EN 124 – Class D400)



Mounting:

Follow the installation guidelines for Polieco Kio D400 / EN 124 top cover and frame. Feeder cable to be installed strain-relieved. Maximum force 5 N per cable. Avoid mounting locations where obstructions may have impact on the antenna performance, e.g. parking cars.

Recommended tightening torque for the cover screws (2x): 50 Nm.

Attention: Please follow the mounting and instruction guidelines carefully. Liability cannot be assumed for damages as a result of unsatisfactory fitting and installation, improper putting into service, incorrect operation and maintenance, as well as any alterations or modifications carried out by the operator and accessory parts by the customer.

Remark:

All electrical values are stated for the complete system with top frame and cover.

Accessories (order separately if required)

Type No.	Description	Items per Unit
85010210	Locking Tool for Kathrein Street Connect	1
85010211	Locking Screws for Kathrein Street Connect	2

936.5167/c Subject to alteration.